



BLUE EAGLE TYPE A MODULE SERIES STREET LIGHT

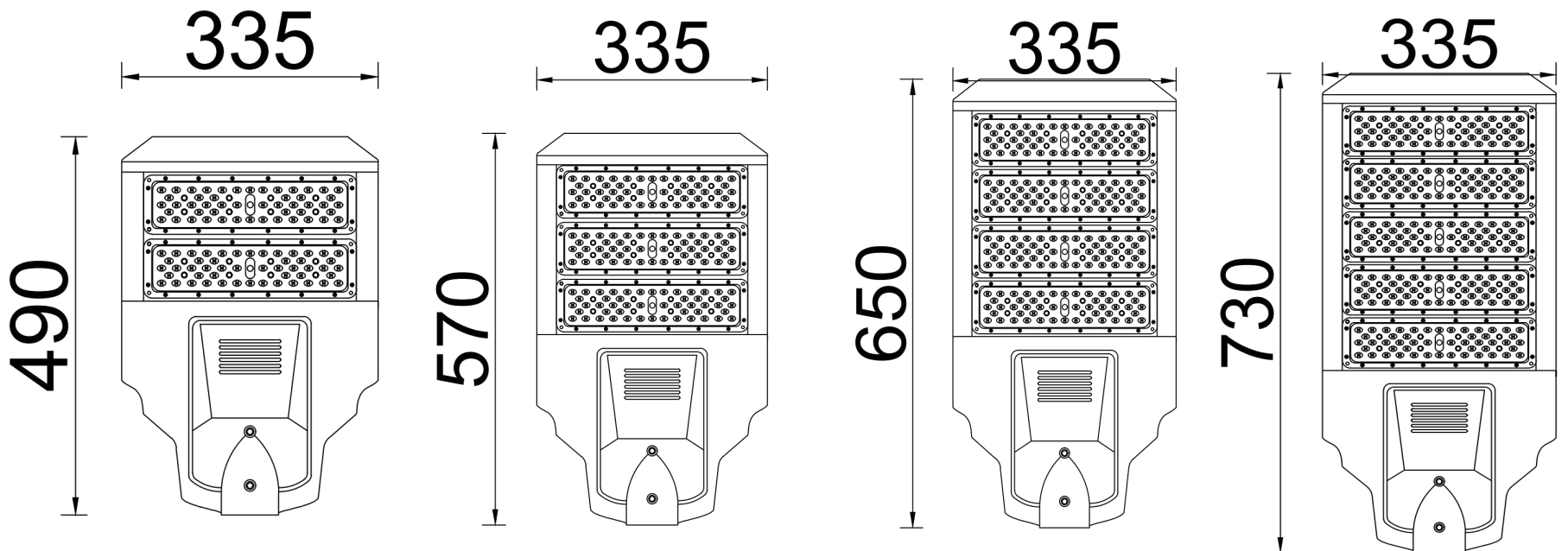




PRODUCT PICTURE:



PRODUCT DIMENSION IMAGE: (产品尺寸图)





PRODUCT TECHNICAL PARAMETERS

MODEL NO.	LYMZLD-A100	LYMZLD-A150	LYMZLD-A200	LYMZLD-A250
LAMP POWER	100W	150W	200W	250W
INPUT VOLTAGE	AC85-265V	AC85-265V	AC85-265V	AC85-265V
FREQUENCY RANGE	50-60Hz	50-60Hz	50-60Hz	50-60Hz
PF	>0.9	>0.9	>0.9	>0.9
LEDs	3030	3030	3030	3030
POWER SUPPLY	EXTERNAL-ISOLATED	EXTERNAL-ISOLATED	EXTERNAL-ISOLATED	EXTERNAL-ISOLATED
BEAM ANGLE	80°-150°	AC85-265V	AC85-265V	AC85-265V
CCT	4000-5500K	50-60Hz	50-60Hz	50-60Hz
LUMENS	15500LM	22500LM	31000LM	38700LM
CRI	>70	>70	>70	>70
HOUSING MATERIAL	DIE-CASTING ALUMINUM	DIE-CASTING ALUMINUM	DIE-CASTING ALUMINUM	DIE-CASTING ALUMINUM
PRODUCT SIZ(MM)	484*335*90	566*335*90	648*335*90	730*335*90
IP RATING	IP65	IP65	IP65	IP65
WORKING TEMPERATURE	-20°+50°	-20°+50°	-20°+50°	-20°+50°
WARRANTY	3 YEARS	3 YEARS	3 YEARS	3 YEARS



PRODUCT CHARACTERISTIC:

- Modular design, beautiful appearance.
- Large light source area, high efficiency and high brightness.
- It is convenient and quick to replace the module. If a module is broken, there is no need to remove the whole lamp, just replace a new module.
- It is quick and easy to replacing the power supply , and only needs to be manually plugged and unplugged the connector.
- Daily maintenance only requires a screwdriver, greatly reducing maintenance costs.

APPLICATION:

Rural road lighting, Monitoring and lighting of farms, barns, doorways, and courtyards, Homestay, resort, and hotel outdoor lighting, Square, parking lot, playground lighting.

